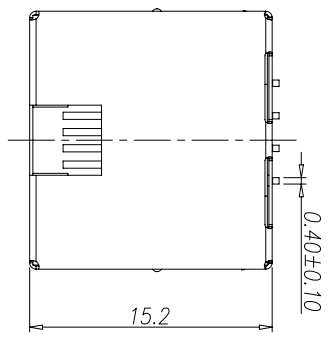


CATEGORY	DESCRIPTION	P/N #
CONNECTOR	Modular Jack, 8P8C, Straddle DIP	MU88B-BX11-RV1-X

原 MU88B-BX11-RV1
改为 MU88B-BX11-RV1-X

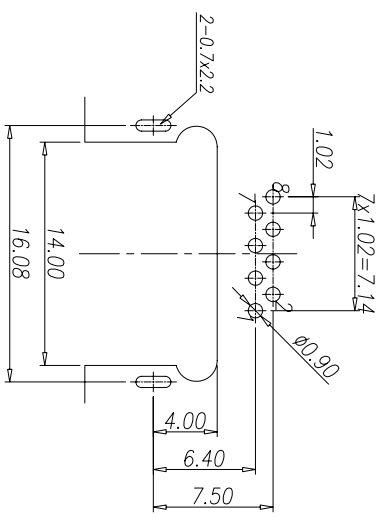
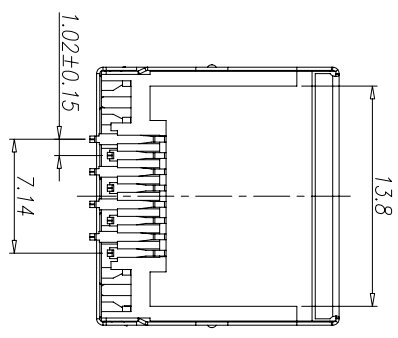
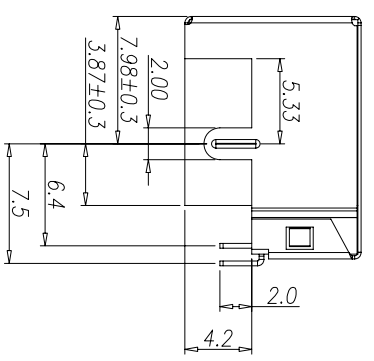
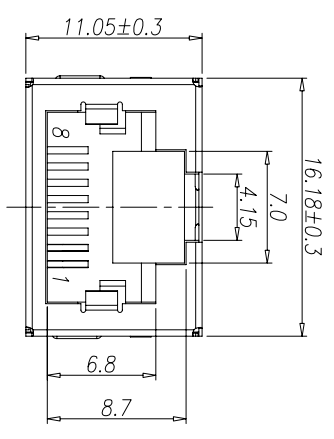
REV.	ECN NO	DESCRIPTION	REVISED	DATE
A01	—	New Release	XSY	2010.02.26
A02	—	新增包装方式	SIMON	2016.11.28



MU88B-BX11-RV1-X

X	Terminal Plating
0	Au 1u" Plating
1	Au 3u" Plating
2	Au 6u" Plating
3	Au 15u" Plating
4	Au 30u" Plating
5	Au 50u" Plating

X	包装方式
C	卷带包装
P	吸塑盒包装




Recommend PCB Layout
(Jack Top View)
Tolerance: ±0.05mm

- SPECIFICATIONS:
1. RJ Electrical Characteristics
 - 1-1: Voltage: 150V AC RMS
 - 1-2: Current Rating: 1.5A
 - 1-3: Contact Resistance: 40mΩ MAX.
 - 1-4: Insulation Resistance: 500MΩ MIN.
 - 1-5: Dielectric Withstand Voltage :1000V AC
 - 1-6: Operate Temperature: -40°C~80°C

c	Shielding	1	Brass, T=0.2mm
b	Terminal	8	Phosphor Bronze, T=0.3mm
a	Housing	1	LCP UL94V-0
NO.	PART NAME	QTY	MATERIAL

	Ni Plating
	Au/Tin Plating
	Black
	PLATING & COLOR

UNLESS OTHERWISE SPECIFIED TOLERANCES	DECIMALS:	ANGLES:
	X : ±0.5	X : ±2°
	XX : ±0.3	XX : ±1°
	XXX : ±0.2	

 <p>东莞市合陵电子有限公司</p>		
Connector: Dongguan Heling Electronic Co.,LTD		
SCALE:1/1	UNIT: mm	DWG.NO:
SIZE: A3	PAGE:1 OF 1	REV:402
APPROVED BY	CHECKED BY	PREPARED BY
DICK	XSY	XSY
CUSTOMER COPY		